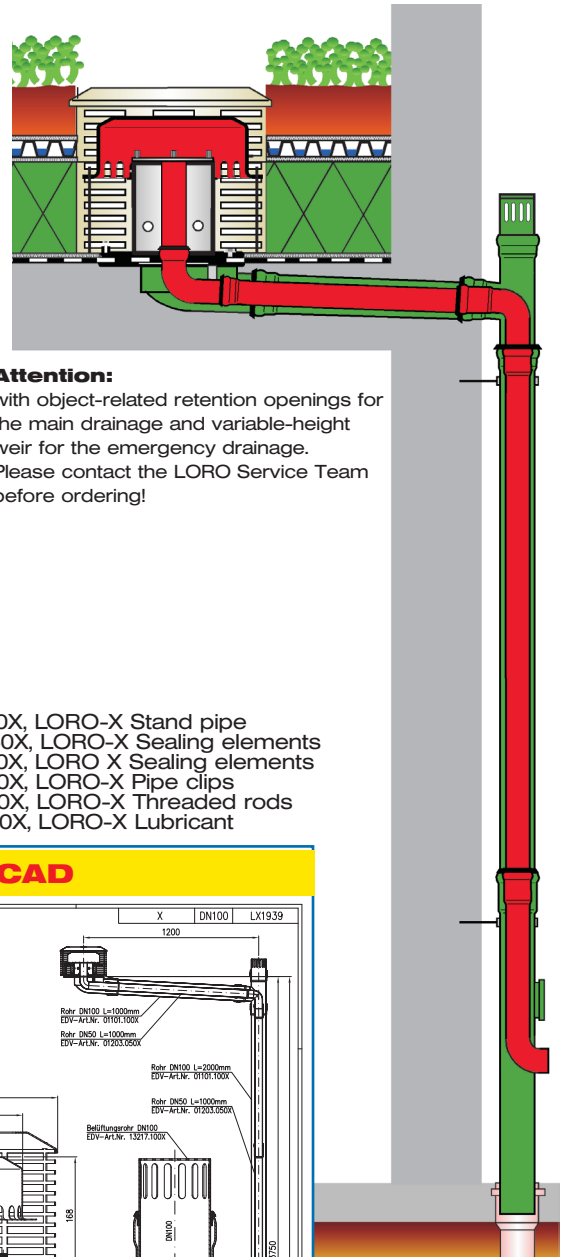


Specification sheet LX 1939

Retention roof drainage Series 88 Haupt-Not-Kombi with variable retention

Main drainage		Emergency drainage	
Gravity flow		Siphonic flow	
Combined			
Silent		Silent	
Discharge rate:	1,0 l/sec	Discharge rate:	7,05 l/sec
Water height:	80 mm	Water height:	95 mm
Roof penetration:	106 mm	Roof penetration:	106 mm
Diameter:	DN 100	Diameter:	DN 50
LX-Number:	LX 1939	LX-Number:	LX 1939
Weir height:	0 mm	Weir height:	80 mm
Drain:	ventilated	Drain:	not ventilated
Downpipe:	ventilated	Downpipe:	not ventilated
Downpipe height:	4,2m	Downpipe height:	min.3,75 m
Drainage:	in sewer	Drainage:	on floor
Flange form:	clamping flange	Flange form:	clamping flange

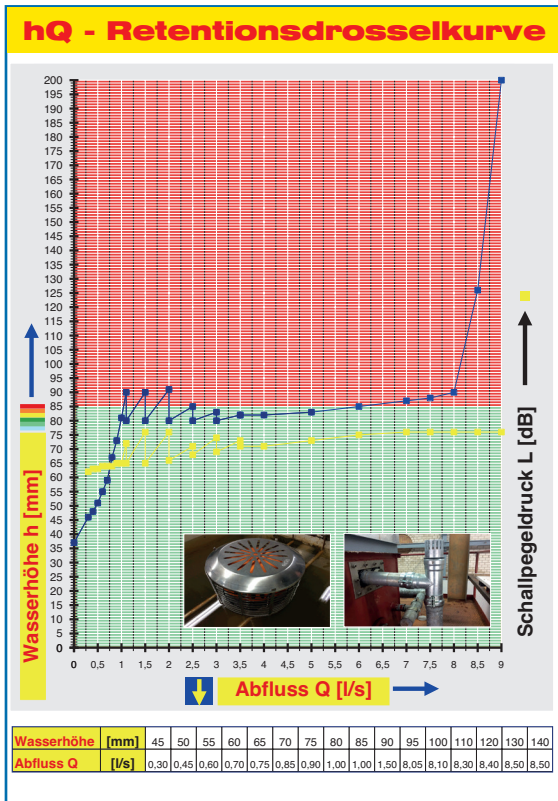


Attention:

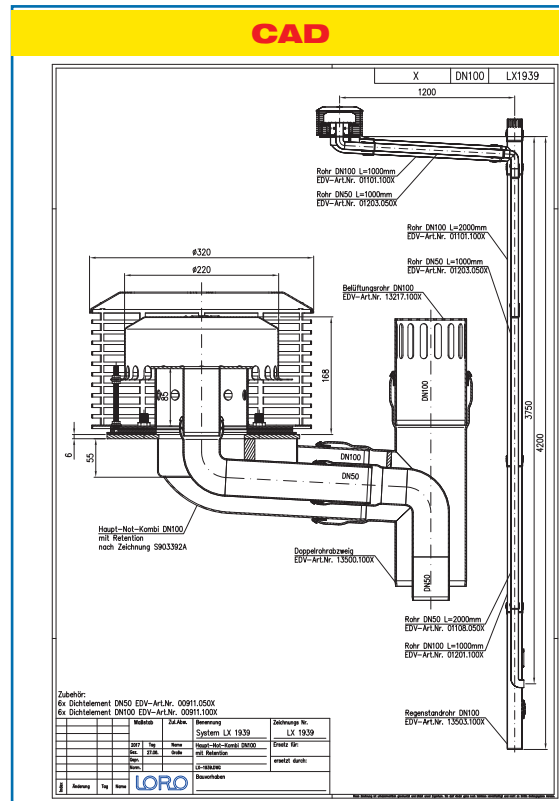
with object-related retention openings for the main drainage and variable-height weir for the emergency drainage. Please contact the LORO Service Team before ordering!

LX 1939 Piece list

- | | |
|--|--|
| 1 x Art.-No. 41516.100X, Retention Haupt-Not-Kombi | 1 x Art.-No. 13503.100X, LORO-X Stand pipe |
| 2 x Art.-No. 01201.100X, LORO-X Pipe with one socket | 2 x Art.-No. 00911.050X, LORO-X Sealing elements |
| 1 x Art.-No. 01302.050X, LORO-X Pipe with one socket | 5 x Art.-No. 00911.100X, LORO X Sealing elements |
| 1 x Art.-No. 13519.DB0X, LORO-X Branch | 3 x Art.-No. 00974.100X, LORO-X Pipe clips |
| 1 x Art.-No. 13235.100X, LORO-X Sliding flange | 3 x Art.-No. 09604.100X, LORO-X Threaded rods |
| 1 x Art.-No. 01101.100X, LORO-X Pipe with one socket | 1 x Art.-No. 00986.000X, LORO-X Lubricant |



Systempower



Systemshape

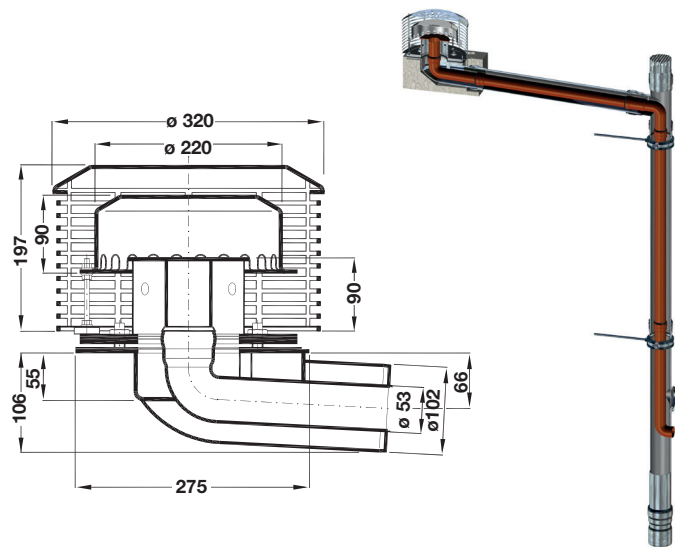
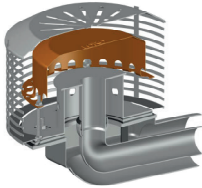
Water height	mm	45	50	55	60	65	70	75	80	85	90	95	100	110	120	130	140
Discharge	l/sec	0,3	0,45	0,6	0,7	0,75	0,85	0,9	1,0	1,0	1,5	8,05	8,1	8,3	8,4	8,5	8,5
Silent																	

LORO-X Combination retention roof drainage

LX1939-4X

VARIOFIT retention unit
Art.-No. 41516.100X

with clamping flange
for bituminous and plastic
roofing sheets



LORO-Branch with bend - Pipe in Pipe-

- for combined LORO-X main-emergency parapet drains,
made of hot-dip galvanised steel, DN 100/50,

Art.-No. 13500.100X
Weight: 3,1 kg



LORO-X Stand pipe with

cleaning opening, High performance safety
over flow and siphonic spout

1000 mm length Art.-No. 13503.100X
Weight: 6,7 kg



LORO-X Pipe with long socket

-emergency drain pipe(inner pipe) for combined LORO-X
main & emergency parapet drains, made of hot-dip
galvanised steel, DN 50

500 mm lang Art.-No. 01302.050X



Heat tracing: Lorowerk recommends to check all drains and pipes with regard to their frost-sensibility. Where necessary, these parts should be upgraded with heat tracing.